

Type	DI	DO	AI	AO	Comm
C-IT-0200R-Design			2 x Temperature internal, external		CIB

Basic features

- Module is on CIB bus connectable module designed for measurement of temperature in interiors. Temperature is measured by sensor placed in cover.
- It is possible to connect second, external sensor for measurement of floor temperature, outside temperature etc.
- Modules of temperature measurement are available in designs of different manufacturers. Availability check at manufacturer.
- Built-in temperature sensor is placed in bottom part of cover. This placement maximizes accuracy of measurement and eliminates influence of module heating to measurement.
- Input for external temperature sensor and connection of CIB bus is placed in bottom built-in part of module.
- Firmware supports linearization and direct reading of temperature from external NTC 5k, 10k, 12k, 15k and 20k. For these types of sensors it eliminates even distortion, resp. error of measurement for long distance.
- Input for external sensor may be used also for measurement of general resistance up to 100 kΩ.
- Status is indicated by LED diode on bottom part of module.

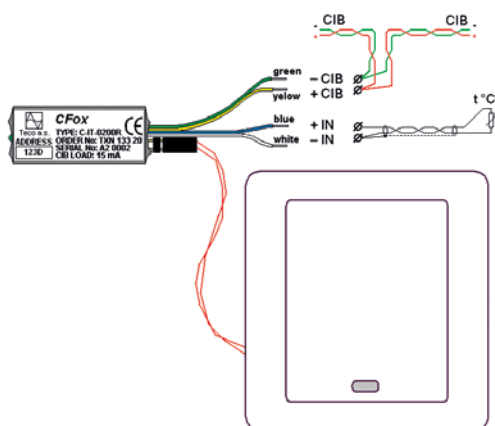
Connection

- Module is used for assembly on the wall into standard installation box.
- Module has two parts: upper with sensor in interior design and bottom with electronics of connection into CIB bus and connection of external sensor.
- CIB bus and inputs for external sensor connectable by isolated wires of length 70 mm with sleeves.
- Upper and bottom part are connected each other with cable with connector.

Use

- Module can be used for measurement of up to two temperatures. One interior and another external – for example outside temperature, floor temperature, etc.
- As external sensor we may connect also other resistance, for example photo resistance or potentiometer to set the value.

Connection example



Analog inputs

Sensor type	Range	Basic accuracy
Internal	0..+55 °C	0.5°C
External NTC 5k	0..90°C	0.5°C
External NTC 10k	0..90°C	0.5°C
External NTC 12k	0..90°C	0.5°C
External NTC 15k	0..90°C	0.5°C
External NTC 20k	0..90°C	0.5°C

Operating conditions

Operating temperature	0 .. +55 °C
Storage temperature	-25 .. +70 °C
Electric strength	according EN 60950
IP Degree of protection(IEC 529)	IP 10B
Overvoltage category	II
Degree of pollution IEC EN60664-1:2004	1
Working position	any
Installation	Into installation box
Connection of CIB, AI	Tape wires with sleeves 1.15 mm ²

Analog inputs

Sensor type	Range	Basic accuracy
External resistance	0 – 25 kΩ	0.5 kΩ
External resistance	25 – 50 kΩ	0.5 kΩ
External resistance	50 – 100 kΩ	1 kΩ

Dimensions and weight

Dimensions	56 × 26 × 16 mm (bottom part), upper part according used design
Weight	80 g

Power supply

Power supply and communication	24 V (27 V) from CIB bus
Nominal load	45 mA
Nominal/max. input power	0.3 W/0.4 W
Internal protection	Return fuse

Order number

TXN 133 20 C-IT-0200R-Zak; CIB, 2 x temperature (1 x internal, 1 x external); cover and frame separately on request

Example:
C-IT-0200R – Legrand Galena



Other designs for individual order:



C-IT-0200R-Legrand Valena



C-IT-0200R-Legrand Cariva



C-IT-0200R-Niko Pure

C-IT-0200R-Schneider Unica

Designs LOGUS, DECENTE, ELEGANT, Jung, Berker, Gira, Merten and others please, ask producer