

CIB – wall device with LCD for measurement and temperature setting

Type	DI	DO	AI	AO	Comm
C-RC-0002R-Time	3 x button		2 x temperature internal, external		CIB LCD display
C-RC-0002R-Design					

Basic features

- Module is designated into interiors as the most simple variant for measuring and visualization of current temperature as well as for setting the new temperature set-point.
- Function of module is given by the user program. Module can be used also for other tasks, if the combination of inputs and outputs is usefull.
- 3 digits LCD display with 7 segment digits.
- 2 buttons with a symbol of arrows enable to set the correction of required temperature – increase, decrease.
- 1 button and LED indicator – designed to set and indicate standard or comfortable mode.
- Built-in temperature sensor placed in lower part of front panel. This position maximizes accuracy of measurement and eliminates influence of module heating to measurement.
- Input for external temperature sensor and connection of CIB bus are available on stranded wires of the rear part of module.

- Module is available in ABB Time design as standard. The other designs are available on request after confirmation of the manufacturer.
- Firmware of the module supports linearization and direct reading of temperature from external NTC 5k, 10k, 12k, 15k and 20k. For these types of sensors it eliminates also distortion, resp. error of measurement for long distance.
- Input for external sensor can be used for measurement of any resistance up to 100 kΩ.
- Status is indicated by LED diode on the rear part of module.

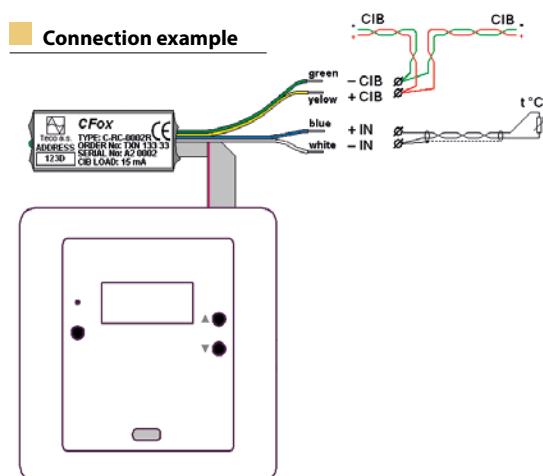
Connection

- Module is used for assembly on the wall into standard installation box.
- Module has two parts: upper one with interior design with control elements and temperature sensor and rear one with electronics of CIB bus and with inputs of external sensor.
- CIB bus and input for external sensor are available on isolated wires of length 70 mm finished by pressed sleeves.
- Upper and rear part are connected with flat cable with connector.

Use

- Module can be used for setting of required temperature or other values with present visualization of value at 3 digits LCD display.
- Module can be used for measurement up to 2 temperatures. One internal and one external – for example outside temperature, floor temperature etc.
- As external sensor also other resistance, for example photo resistance or potentiometer to set the value can be used.

Connection example



Analog inputs

Sensor type	Range	Basic accuracy
Internal temperature	0..+55 °C	0.5 °C
External NTC 5k	0..90 °C	0.5 °C
External NTC 10k	0..90 °C	0.5 °C
External NTC 12k	0..90 °C	0.5 °C
External NTC 15k	0..90 °C	0.5 °C
External NTC 20k	0..90 °C	0.5 °C

Analog inputs

Sensor type	Range	Basic accuracy
Resistance	0 – 25 kΩ	0.5 kΩ
Resistance	25 – 50 kΩ	0.5 kΩ
Resistance	50 – 100 kΩ	1 kΩ

Operating conditions

Operating temperature	0 .. +55 °C
Storage temperature	-25 .. +70 °C
Electric strength	according EN 60950
IP Degree of protection (IEC 529)	IP 10B
Overvoltage category	II
Degree of pollution IEC EN60664-1:2008	1
Working position	any
Installation	into installation box
Connection of CIB, AI	isolated wires with pressed sleeves 0.15/0.5 mm ²

Dimensions and weight

Dimensions	83 x 81 x 25 mm
Weight	80 g

Power supply

Power supply and communication	24 V (27 V) from bus CIB
Typical load	45 mA
Typical input power	0.3 W, /0,4 W
Internal protection	Return fuse

Order number

TXN 133 33.01	C-RC-0002R-Time, white/white, CIB, Controller with LCD, measurement and setting of temperature
TXN 133 33	C-RC-0002R-Zak., CIB, Controller with LCD, measurement and setting of temperature (design, color on request)



C-RC-0002R-Time

Designs on request:



C-RC-0002R-Berker



C-RC-0002R-Bticino



C-RC-0002R-Legrand



C-RC-0002R-Unica



C-RC-0002R-Niko

Designs LOGUS, DECENTE, ELEGANT, Jung, Berker, Gira, Merten and others ask producer