

Type	DI	RO	AI	AO	Comm
R-HM-1113M	8	11	3	2	RFox
R-HM-1121M	8	19	3	2	RFox

Basic features

- Modules on DIN rail with combination of analog and digital inputs and outputs.
- Each module has at wireless bus RFox only one address.
- 3 analog inputs for Resistance Temperature Detectors (RTD) and 2 analog outputs 0 – 10V use for 1 – 2 regulation loops for example heating, cooling or for general use.
- 8 independent inputs for voltage free contacts.
- R-HM-1113M contains 4 galvanic isolated groups for 5 A and 1 power relay for 16 A with independent NO contact. Each group may be used independently for switching 24 V DC or 230 V AC in different phases.
- R-HM-1121M contains 6 galvanic isolated groups for 5 A and 3 power relays for 16 A with independent switching contact. Each group may be used independently for switching 24 V DC or 230 V AC in different phases.
- Power relays for 16 A have contacts with combination wolfram/AgSnO2 for reliable switching of high loads.
- Each relay is independently addressed and controlled from program.
- After pushing button MANUAL CONTROL we can each relay independently with appropriate button.
- Status of digital inputs, relay outputs, mode „MANUAL CONTROL“ and operation is indicated by LED diode at front part of module.

Connection

- Modules communicate in wireless network RFox. HW address (4 hexadecimal digits) is stated at front panel.
- Modules are connected into master of RFox network by pairing process.
- Module R-HM-1113M has internal antenna, module R-HM-1121M has connector for connection of external antenna. During installation we have to take into account local conditions for radio signal transmitting.
- Module R-HM-1113M is supplied from 24 V DC, module R-HM-1121M is supplied from power supply 230 V AC.
- Inputs and outputs are connected via removable connectors, power outputs of R-HM-1121M via firm terminals.

Use

- Modules are used for large installation centralized into switchboard. Typically for one hotel room, one room or residential house floor.
- Switching loads of R, L or C type, independent outputs specially designed for switching power circuits especially inductive and capacitive loads.
- Control of circuits in rooms: sockets circuits, lighting, jalousies, heating and ventilation.
- Regulation of solar and combined systems of heating

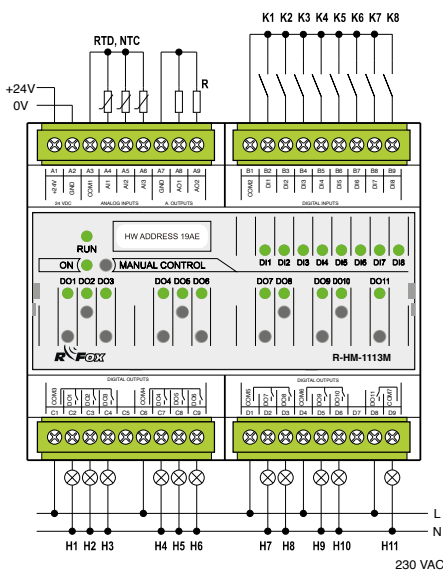


R-HM-1113M

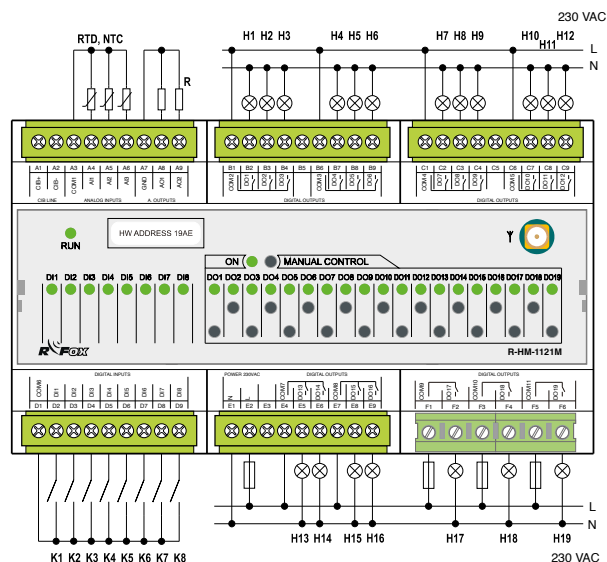


R-HM-1121M

Connection example



R-HM-1113M



R-HM-1121M

Communication	R-HM-1113M	R-HM-1121M
Wireless bus	RFox	RFox
Antenna	Integrated	External, optional
Frequency	868 MHz	868 MHz
Signal transmission	Both directions with confirmation	Both directions with confirmation
Range	About 30m in buildings, 300m in empty space	About 30m in buildings, 300m in empty space
Interval of transmitting		