

Type	DI	DO/RO	AI	AO	Comm
<b>R-OR-0001B</b>		1 x RO			RFox

## Basic features

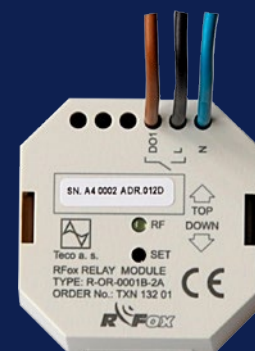
- Module with one switching relay contact for power loads at 230 V AC.
- Power supply from 230 V AC. Wireless communication.
- Modules are designed for switching independent loads/devices by relay output.
- Relay is independently addressed and wireless controlled by central module via sending commands with confirmation.

## Connection

- Module is designed as standard device of data radio network RFox.
- Mechanical design suitable into standard installation box.
- Recommended installation position vertical, according to sign on the cover.

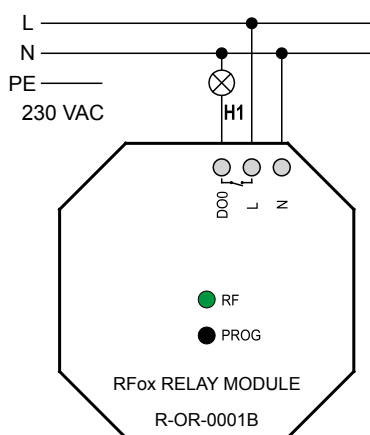
## Use

- Used for switching the loads at 230 V AC, where we need to replace wire bus communication by wireless connection.
- During projection we have to calculate load of contact and their protection at different type of load.



R-OR-0001B

## Connection example



## Relay outputs

	R-OR-0001R
Number of inputs	1 x relay
Load	230 V AC, 50 Hz, 16 A resistance load, Relay contact switches phase L on module output

## Communication RFox

Frequency	868.35 MHz
Signal transmission	Obousměrný s potvrzením
Range	About 30m in building, 100m in empty space <sup>1)</sup>

<sup>1)</sup> range depends on type of building construction materials and type of installation. To extend the range of communication there is mesh technology available.

## Operating conditions

Operation temperature	0 ÷ +70 °C
Storage temperature	-30 ÷ +70 °C
Electric strength	according EN 60950
IP Degree of protection IEC 529	IP 20
Overvoltage category	II
Degree of pollution IEC EN 60664-1:2004	1
Working position	vertical, according sign at the cover
Installation	into installation box

## Dimensions and weight

Mechanical construction	Plastic modul on installation box
Dimensions	49 x 49 x 25 mm
Weight	45 g

## Power supply

Power supply voltage	230 V AC, 50 Hz
Power cable	full Cu cable, length 120 mm, connecting diameter 2.5 mm <sup>2</sup>
Power supply protection	Circuit breaker 16 A, specification B
Typ. power	2.8 W
Max. power	4.6 W

## Order number

TXN 132 01 R-OR-0001B, RFox, 1 x Relay 16 A, NO contact, box